

GP-400

Standard Stroke

* ALL MTG. HOLES 1-1/2 DIA.
MIN. THREAD DEPTH.

Stroke: 2.50 in.(83.5 mm)

Gripping Force - Closing: 503.5 lbs.(228.4 kgf)

Gripping Force - Opening: 636.2 lbs.(288.7 kgf)

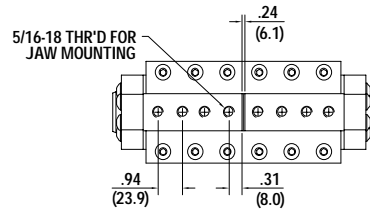
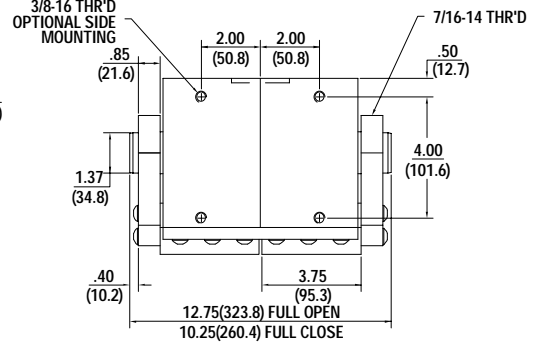
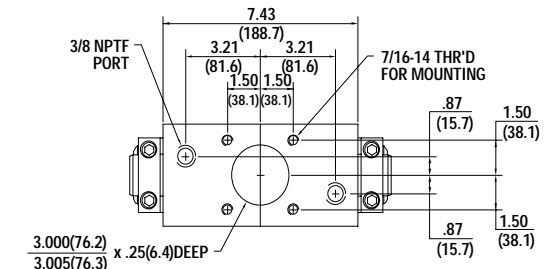
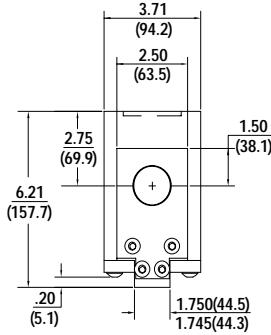
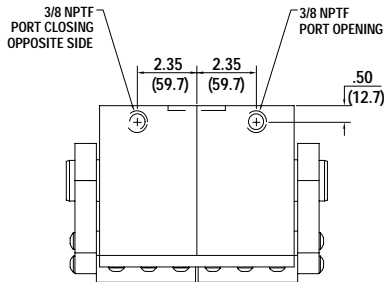
Gripping Force: @ 100 PSI(6.8 bar)

Approximate Weight: 28.5 lbs.(12927.38 g)

Operating displacement. in(cm) : 17.671 (289.6)

Maximum Operating Pressure: 250 PSI(17.0 bar)

OPTIONAL SIDE PORTING



GPL-400

Long Stroke

* ALL MTG. HOLES 1-1/2 DIA.
MIN. THREAD DEPTH.

Stroke: 6.00 in.(152.4mm)

Gripping Force - Closing: 503.5 lbs.(228.4 kgf)

Gripping Force - Opening: 636.2 lbs.(288.7 kgf)

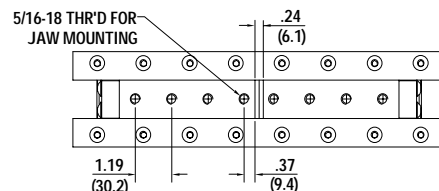
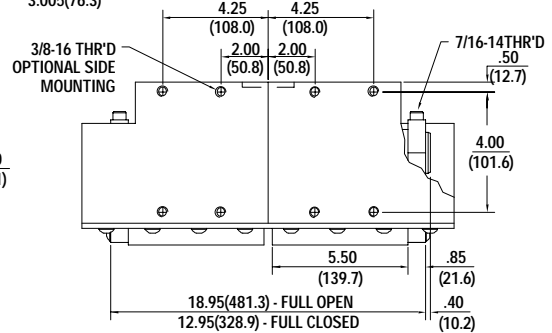
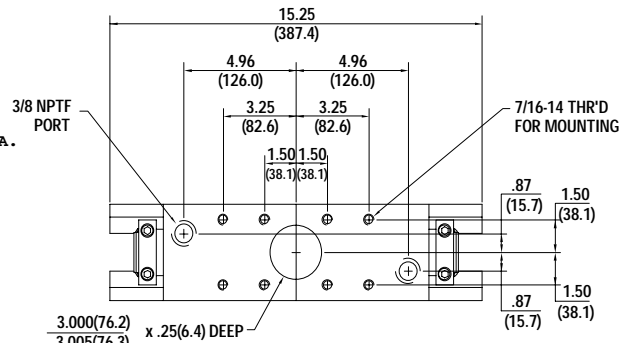
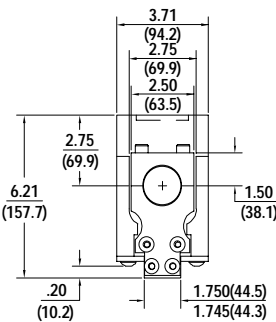
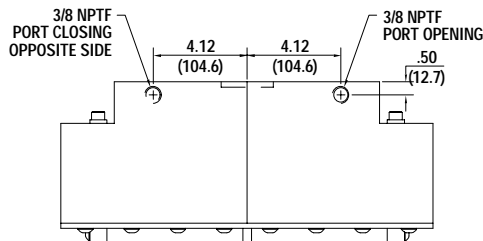
Gripping Force: @ 100 PSI(6.8 bar)

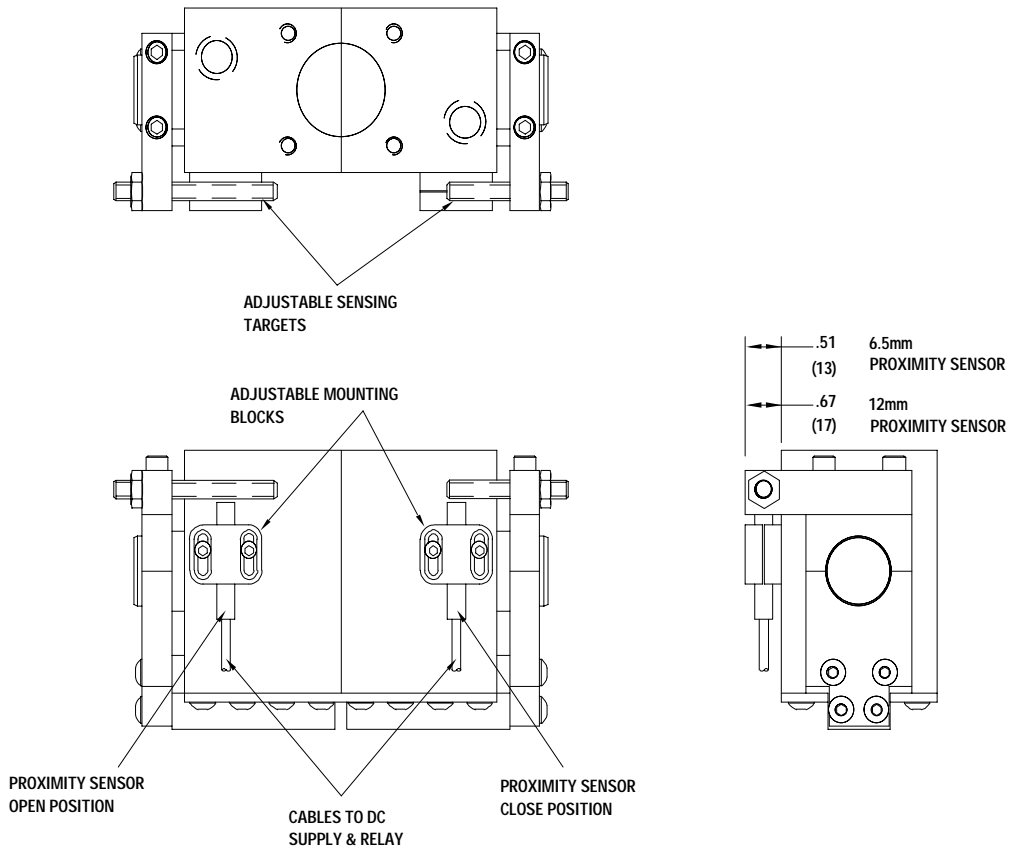
Approximate Weight: 39.88 lbs.(18089.26 g)

Operating displacement. in(cm) : 42.411(695.0)

Maximum Operating Pressure: 250 PSI(17.0 bar)

OPTIONAL SIDE PORTING





Specifications & Dimensions

| Model | | |
|------------------------|------------------|------------------|
| | 6.5 mm/DC | 12 mm/AC |
| Voltage Range | 10-60VDC | 90-130VAC |
| Output | Sourcing (PNP) | N.O. |
| | Sinking (NPN) | N.C. |
| Operating Temperatures | -14° F - +158° F | -14° F - +158° F |
| Shielded | Yes | Yes |
| Overload Protected | Yes | NO |

ZAYTRAN AUTOMATION

ZAYTRAN, Incorporated
41535 Schaden Rd. : PO Box 1660 : Elyria, Ohio, 44036
Tel: 440-324-2814 Fax: 440-324-3552

<http://www.grippers.com>

ZAYTRAN, INCORPORATED LIMITED WARRANTY AND DISCLAIMER

Zaytran Inc. warrants for one year from the date of purchase for normal use and service that its products are free from defects in materials, workmanship and design. In no instance shall the foregoing be construed as a warranty of fitness for a particular application, and Zaytran Inc. accepts no responsibility of any kind for any of its products that have been subject to improper installation, application, negligence, tampering or abuse or that have been repaired or altered outside the Zaytran factory. Seals and o-rings are specifically excluded from any warranty. The obligation of Zaytran Inc. under this warranty is limited to repair, replacement or correction of any part or product determined by our inspection to be defective. We will not pay for loss of time, inconvenience, loss of use of your Zaytran product, or property damage caused by your Zaytran product or its failure to work, or any other incidental or consequential damages. Some states do not allow limitations on how long an implied warranty lasts or the exclusion or limitation of incidental or consequential damages, so the above exclusions or limitations may not apply to you. Zaytran Inc. makes no other warranties and disclaims responsibility for any damages resulting from use by any buyer or user. The liability of Zaytran Inc. hereunder is limited to the lesser of the value of the product sold and the obligation to replace, repair or correct the defective part. This warranty gives you specific legal rights, and you may also have other rights which vary from state to state.

Written permission must be obtained from Zaytran Inc. prior to returning any goods for warranty inspection purposes.

Zaytran Inc. reserves the right to change designs and specifications without notice. All data and dimensions in catalogs have been thoroughly checked for accuracy; however, Zaytran Inc. cannot assume responsibility for possible errors or omissions.

MAGNUM and XRAY are registered Trademarks of ZAYTRAN, Inc.